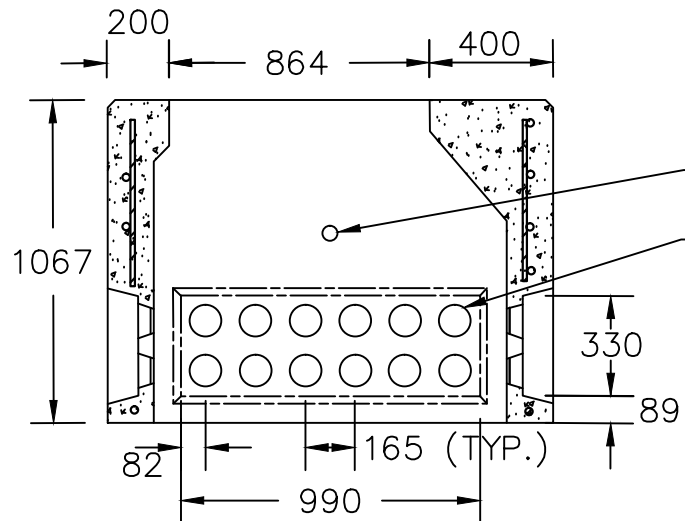


PLAN VIEW



SECTION A-A

SCALE = 1:25

SPECIFICATIONS

ALL DIMENSIONS IN MILLIMETERS.

CONCRETE:

32 MPa @ 28 DAYS
5-7% AIR ENTRAINMENT IN ACCORDANCE
WITH CSA A 23.1

REINFORCING:

REINFORCED WITH 10m REBAR
ALL REINFORCING STEEL HAS 30mm MIN.
COVER

WEIGHT:

TOOTAL

±4000 LB

LOW PROFILE TRANSFORMER BASE

1071 GODERICH ST, PORT ELGIN ONT.
PHONE : 519-389-6245
www.carsonsupply.com

